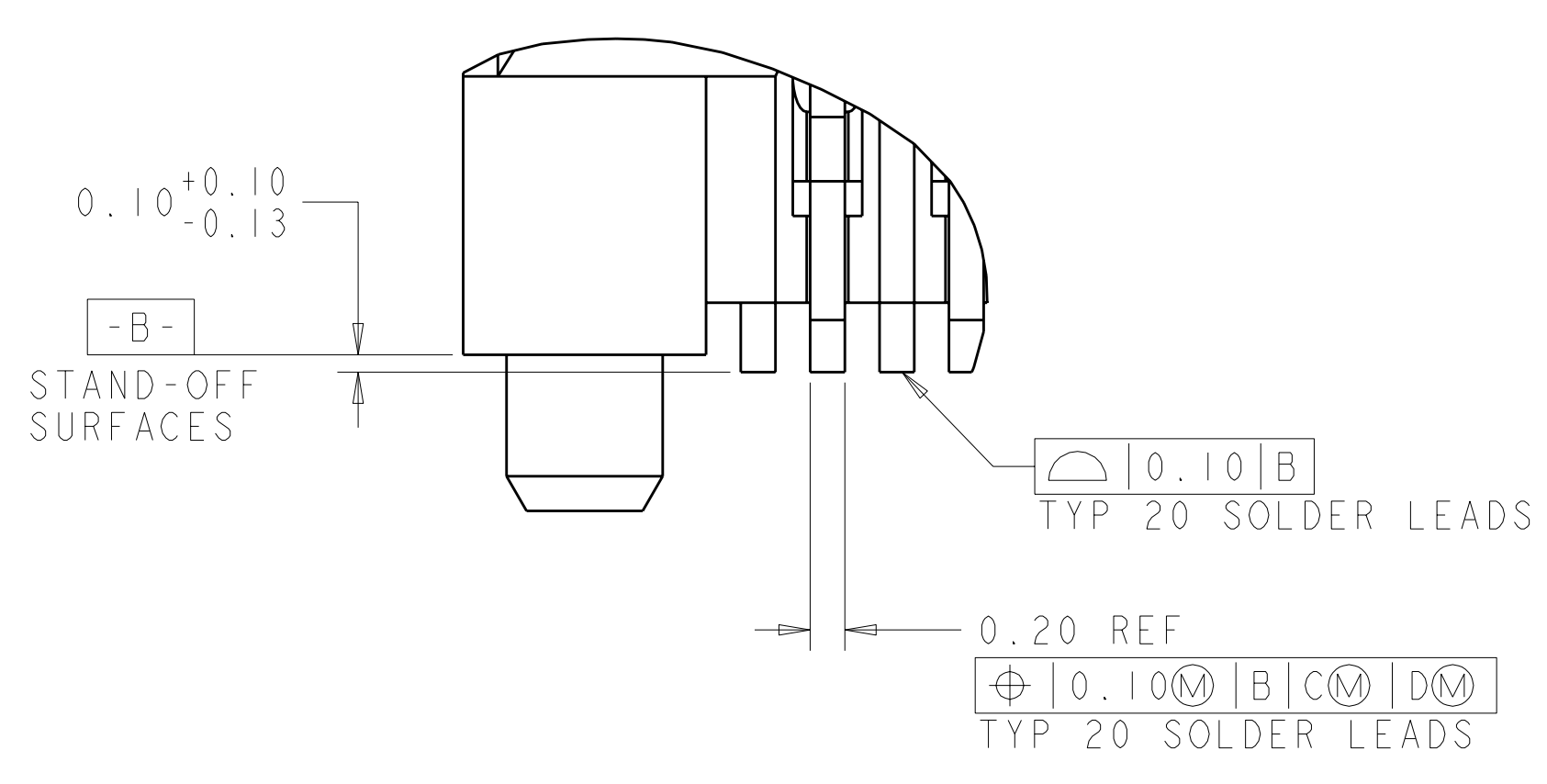
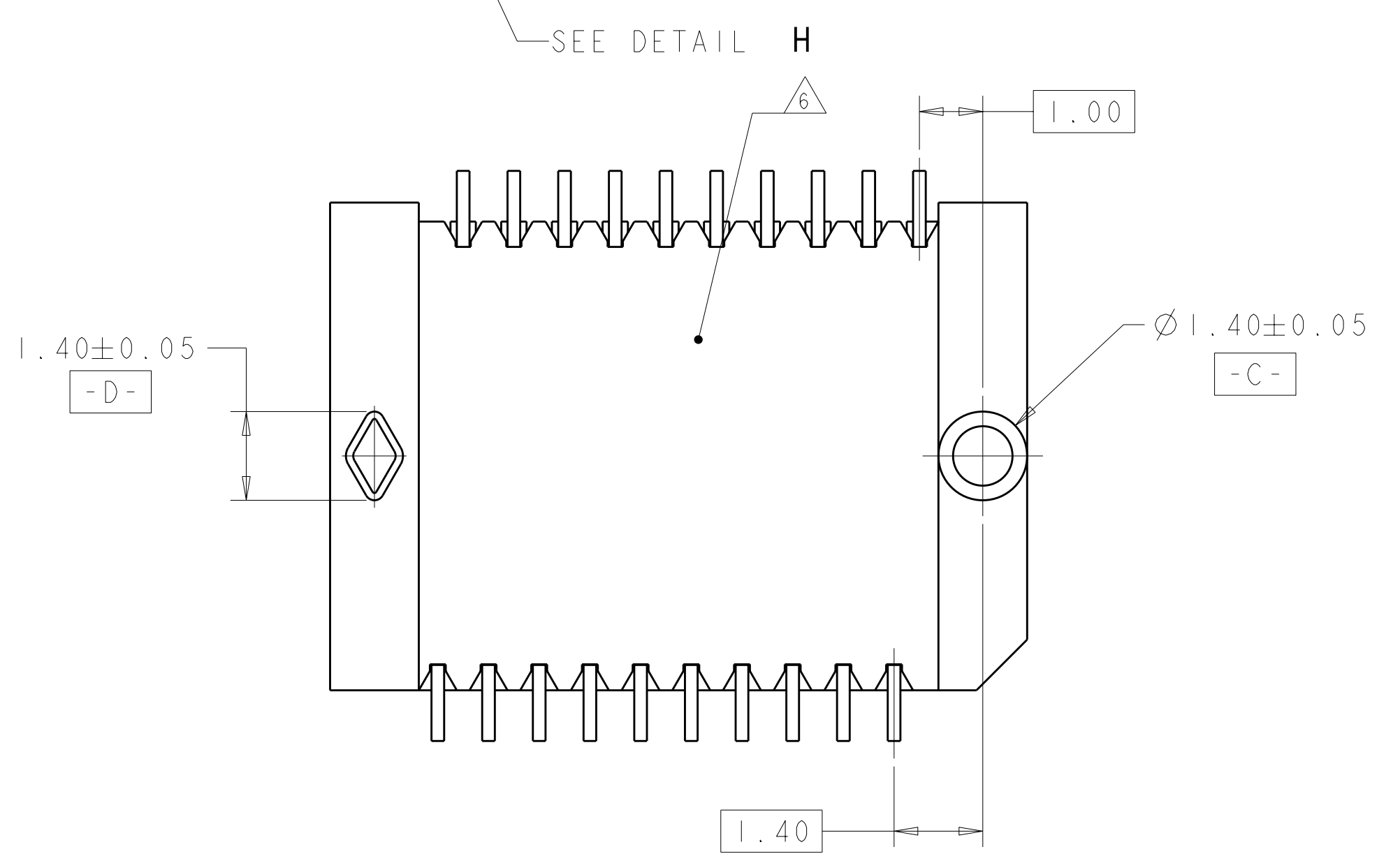
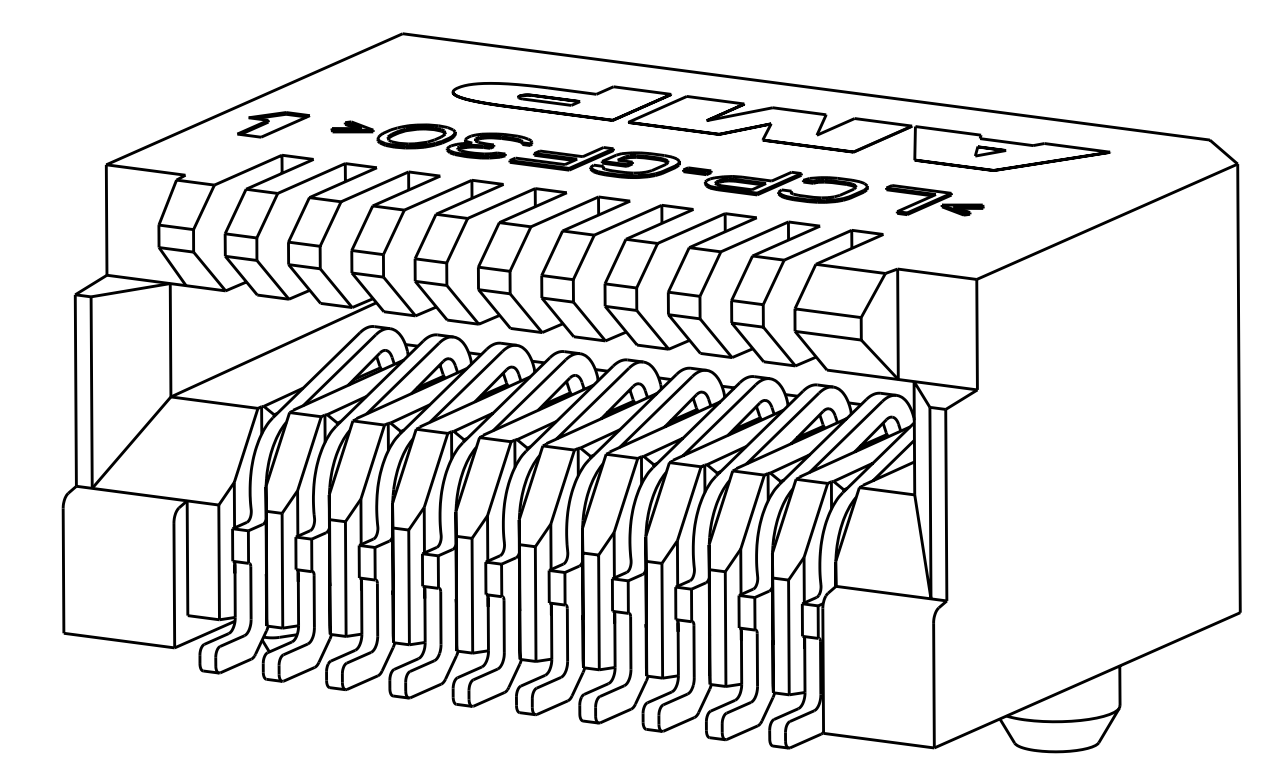
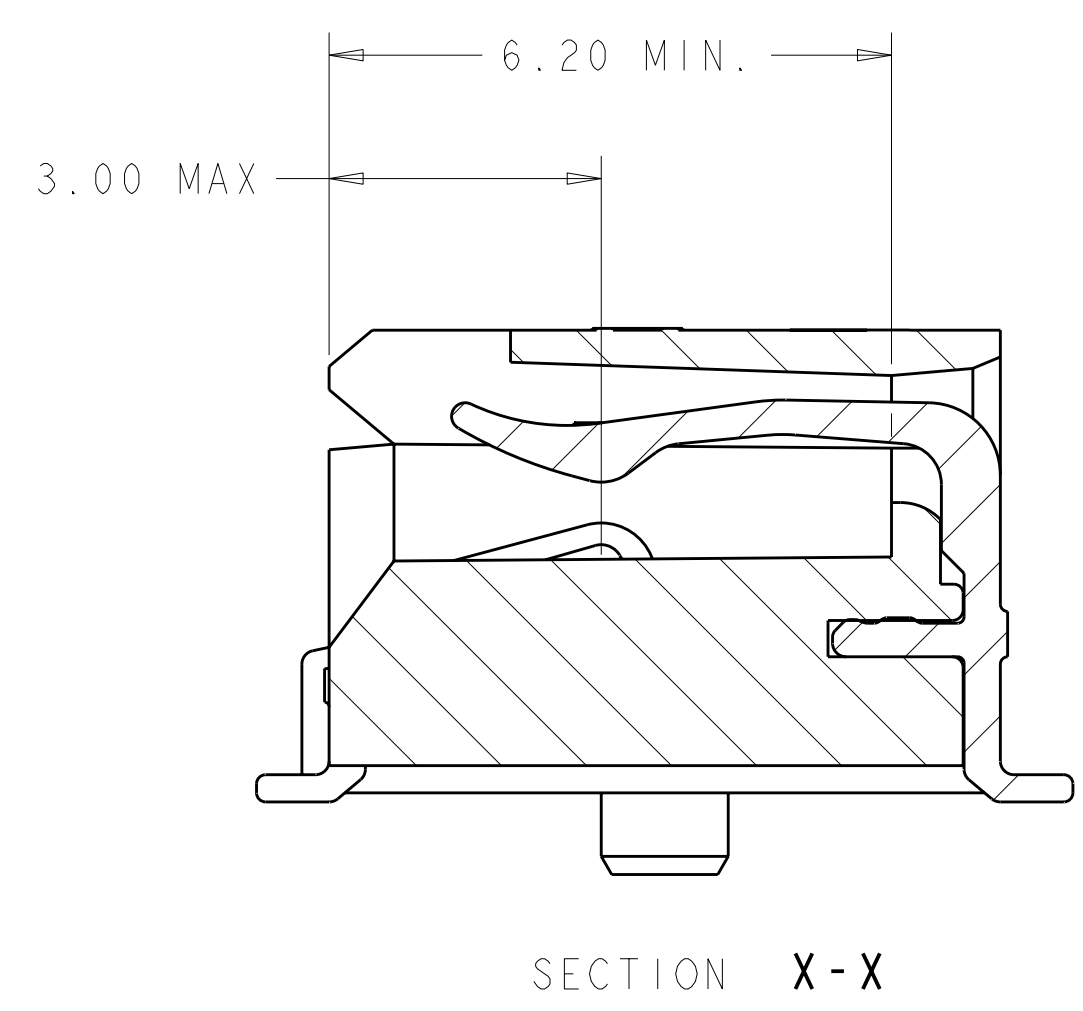
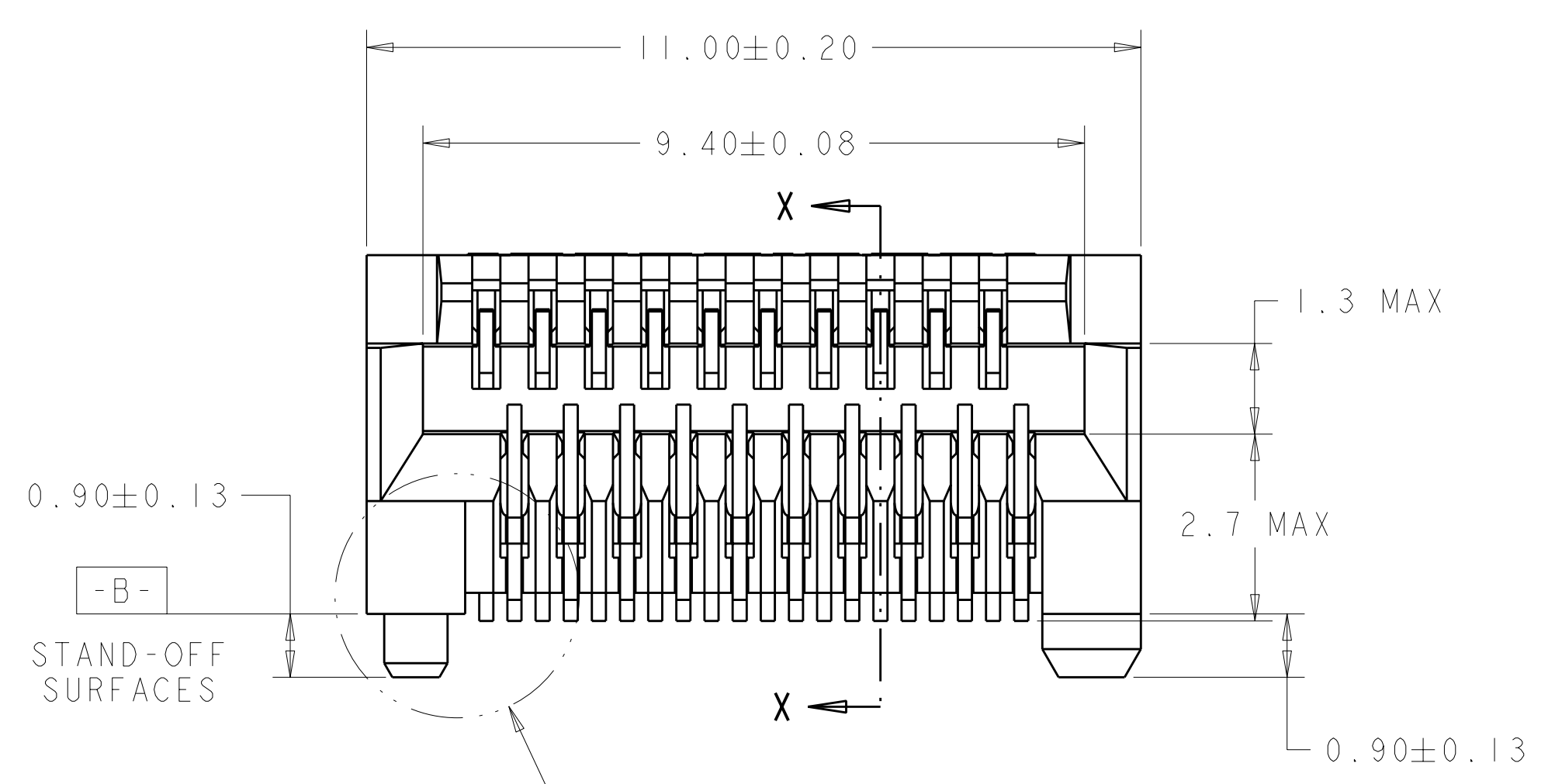
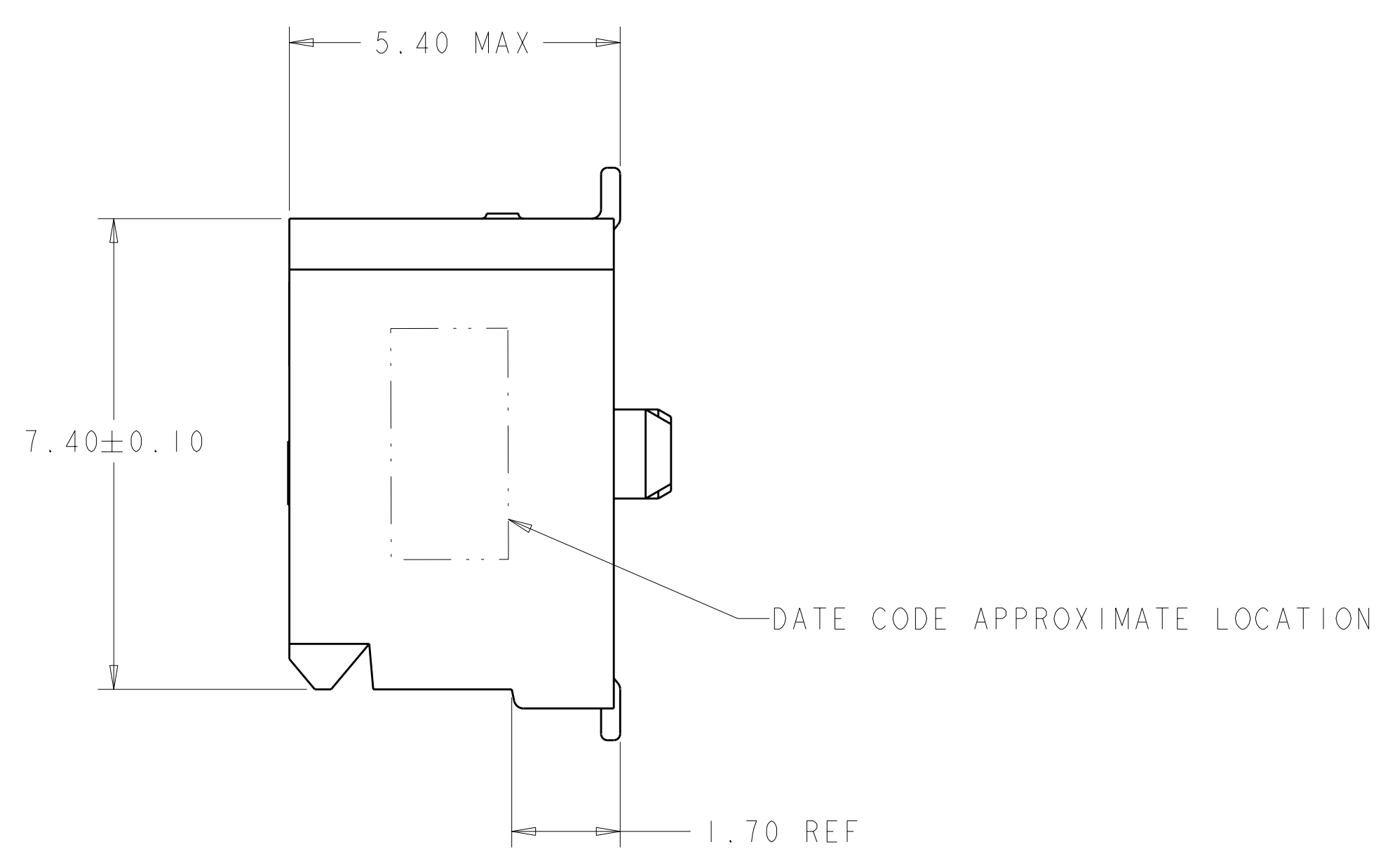
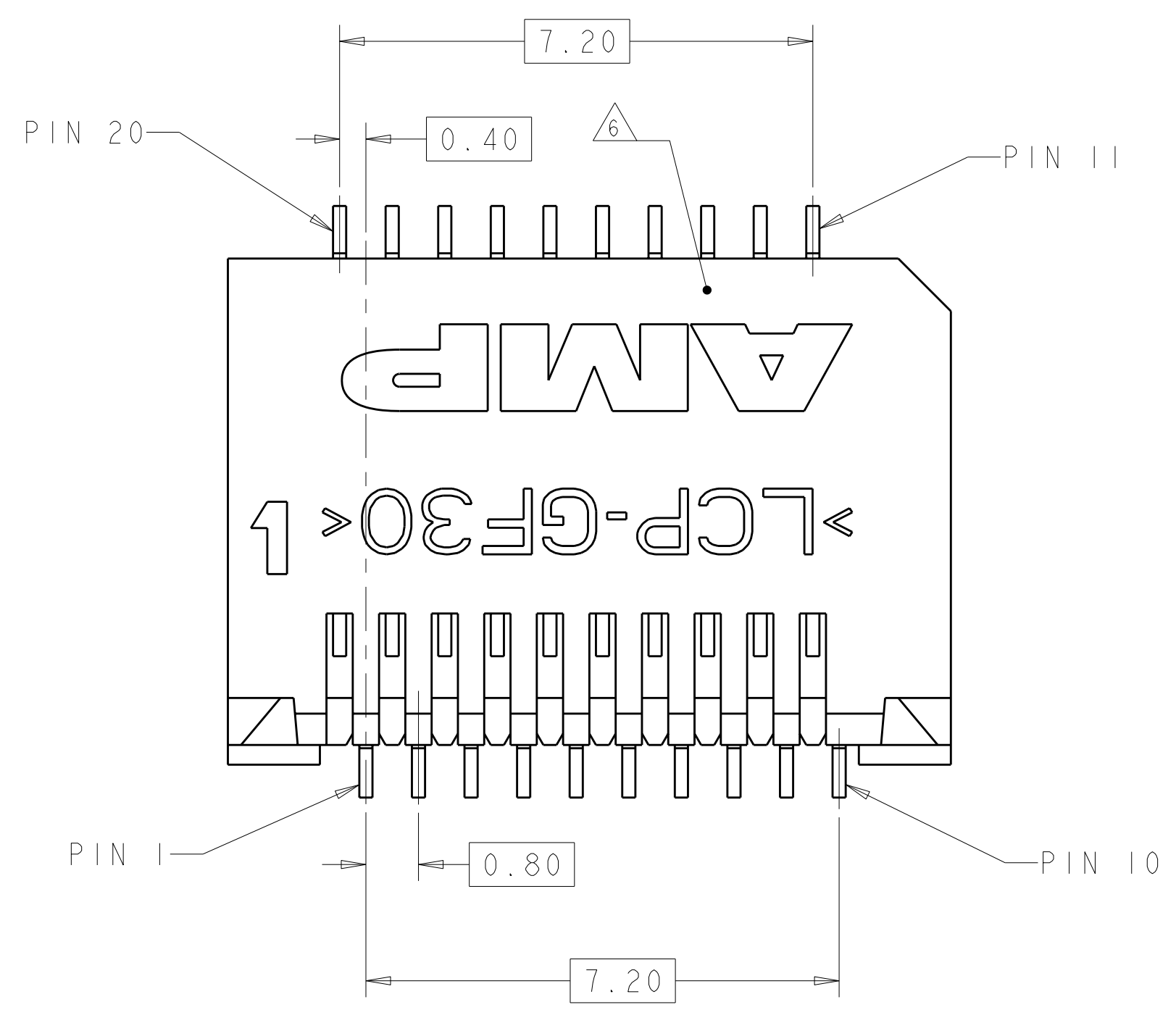


LOC	DIST	REV	DATE	BY	APPD
ES	00				
REVISIONS					
D		REVISED PER ECR-07-019122	20JUL07	ML	SY
F		REVISED PER ECR-07-025522	25OCT07	LL	SY
G		REVISED PER ECR-09-001268	20MAR09	AL	SY
H		REVISED PER ECR-09-015300	20JUL2009	AL	SY



- 1 MATERIAL:
HOUSING: HIGH TEMPERATURE LCP, UL 94V-0 RATED, WHITE
CONTACTS: PHOSPHOR BRONZE.
- 2 FINISH:
CONTACTS: 0.00076 MIN GOLD ON CONTACT AREA, 0.00013 MIN GOLD ON SOLDER AREA. ALL OVER 0.0038 MIN NICKEL UNDERPLATE ON ENTIRE CONTACT. LUBRICANT ON GOLD PLATE CONTACT AREAS.
- 3. PACKAGED 480 PIECES PER REEL.
- 4 DATUMS AND BASIC DIMENSIONS TO BE ESTABLISHED BY CUSTOMER; SEE DRAWING 1367034 FOR LAYOUT WHEN USED WITH 1367034-1 BOTTOM CAGE (STANDARD SFP APPLICATION).
- 5 FINISH:
CONTACTS: 0.00038 MIN GOLD ON CONTACT AREA, 0.00013 MIN GOLD ON SOLDER AREA. ALL OVER 0.0038 MIN NICKEL UNDERPLATE ON ENTIRE CONTACT. LUBRICANT ON GOLD PLATE CONTACT AREAS.
- 6 PULL GROOVES PERMITTED ON THESE SURFACES AT MOLDING ENGINEERING DISCRETION

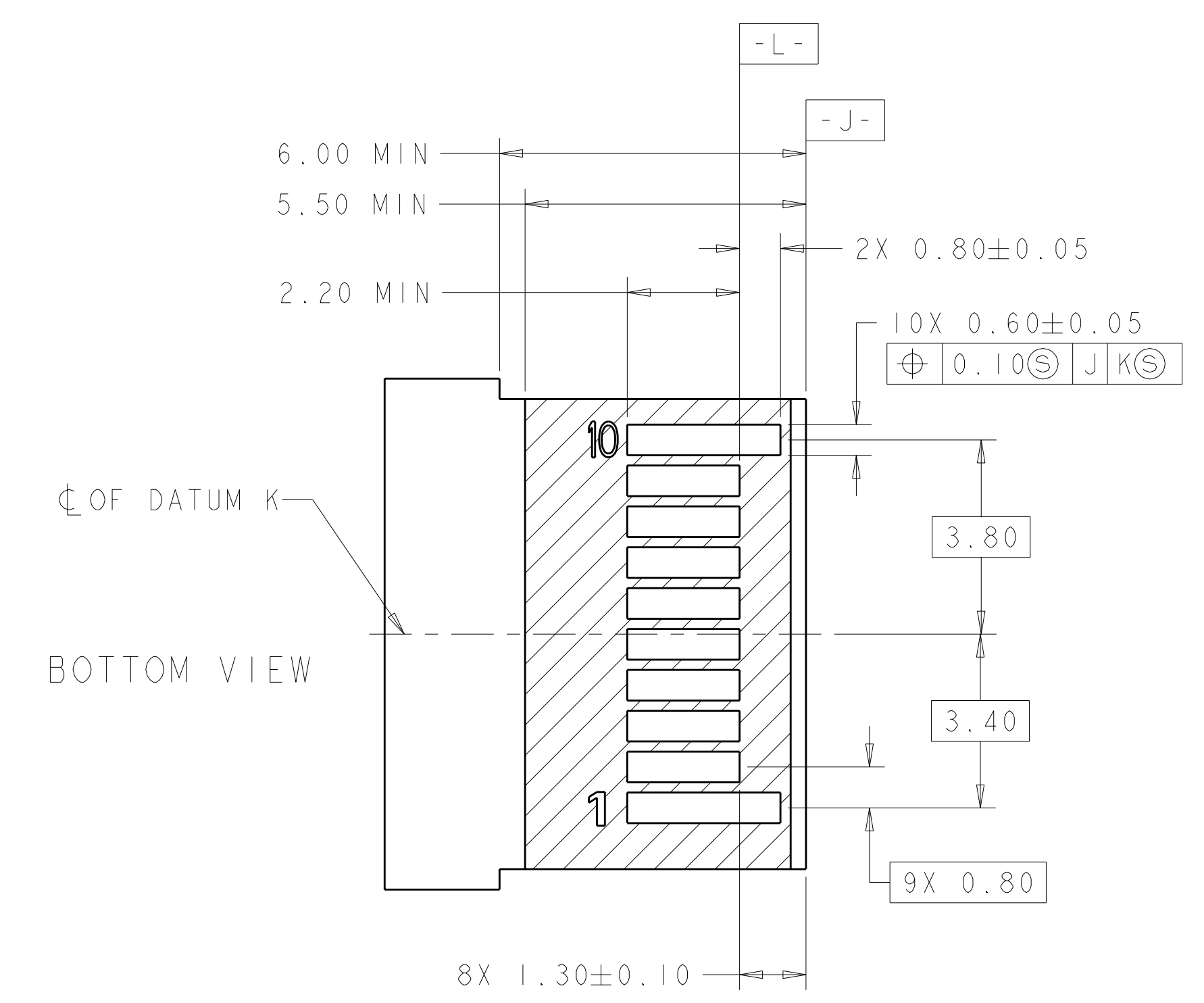
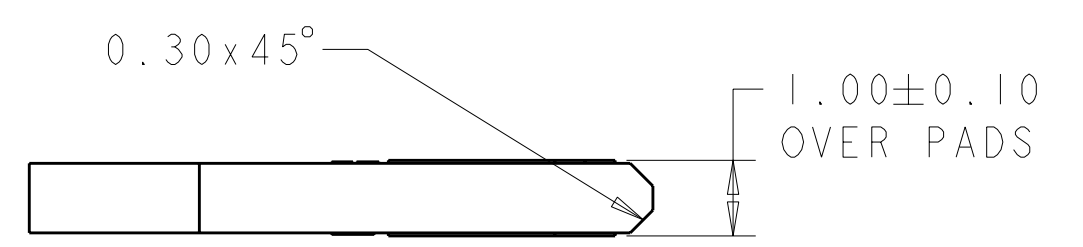
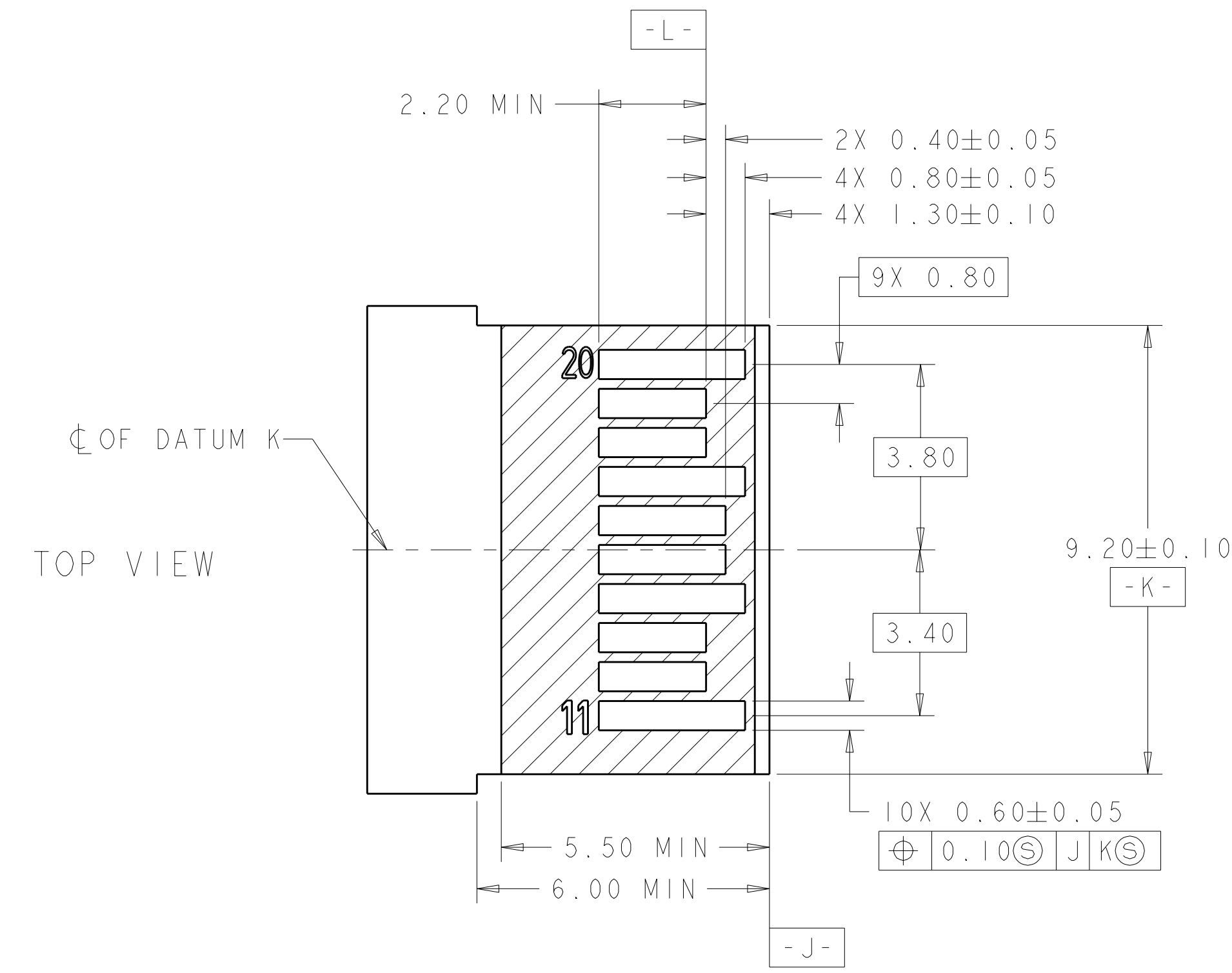
YES	5	1888247-4
YES	2	1888247-3
NO	5	1888247-2
NO	2	1888247-1
DATE CODE	FINISH	PART NUMBER

DIMENSIONS:		TOLERANCES UNLESS OTHERWISE SPECIFIED:	
mm	9 PLC	±	
	1 PLC	±	0.10
	2 PLC	±	0.10
	3 PLC	±	0.10
	4 PLC	±	0.10
	ANGLES	±	
MATERIAL	FINISH		

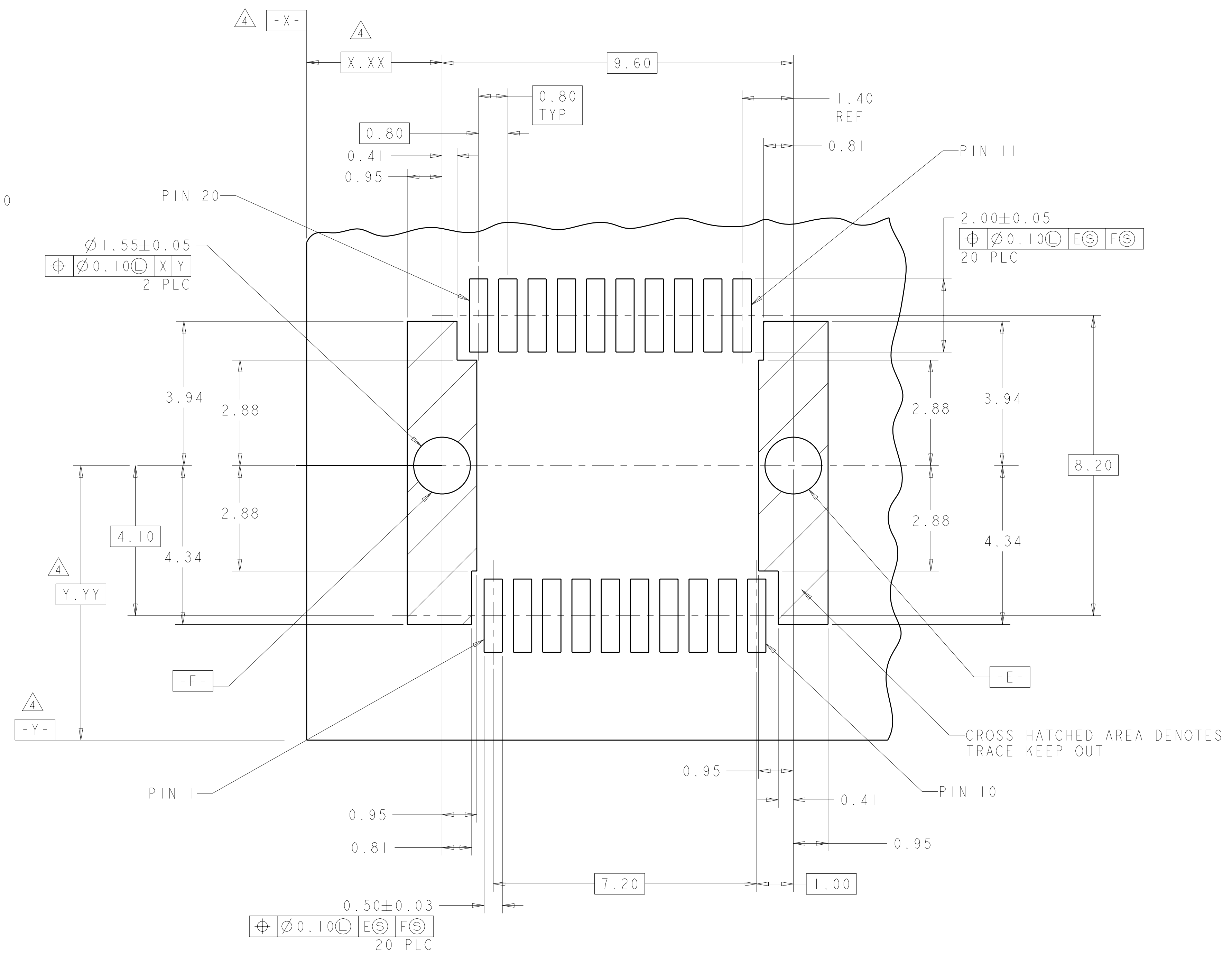
DWN	B. MCMASTER	14FEB06	
CHK	S. SHUEY	14FEB06	
APPD	S. SHUEY	14FEB06	
PRODUCT SPEC	108-1949		
APPLICATION SPEC	114-13017		
WEIGHT			
CUSTOMER DRAWING			

NAME	PT CONNECTOR ASSEMBLY, 20 POS, RIGHT ANGLE, 0.8mm PITCH, SFP SFP+
SIZE	CAGE CODE DRAWING NO
RESTRICTED TO	
SCALE	8:1
SHEET	1 OF 3
REV	J

LOC	DIST	REV	DATE	BY	APPD
ES	00				
DESCRIPTION			DATE	BY	APPD
SEE SHEET 1					



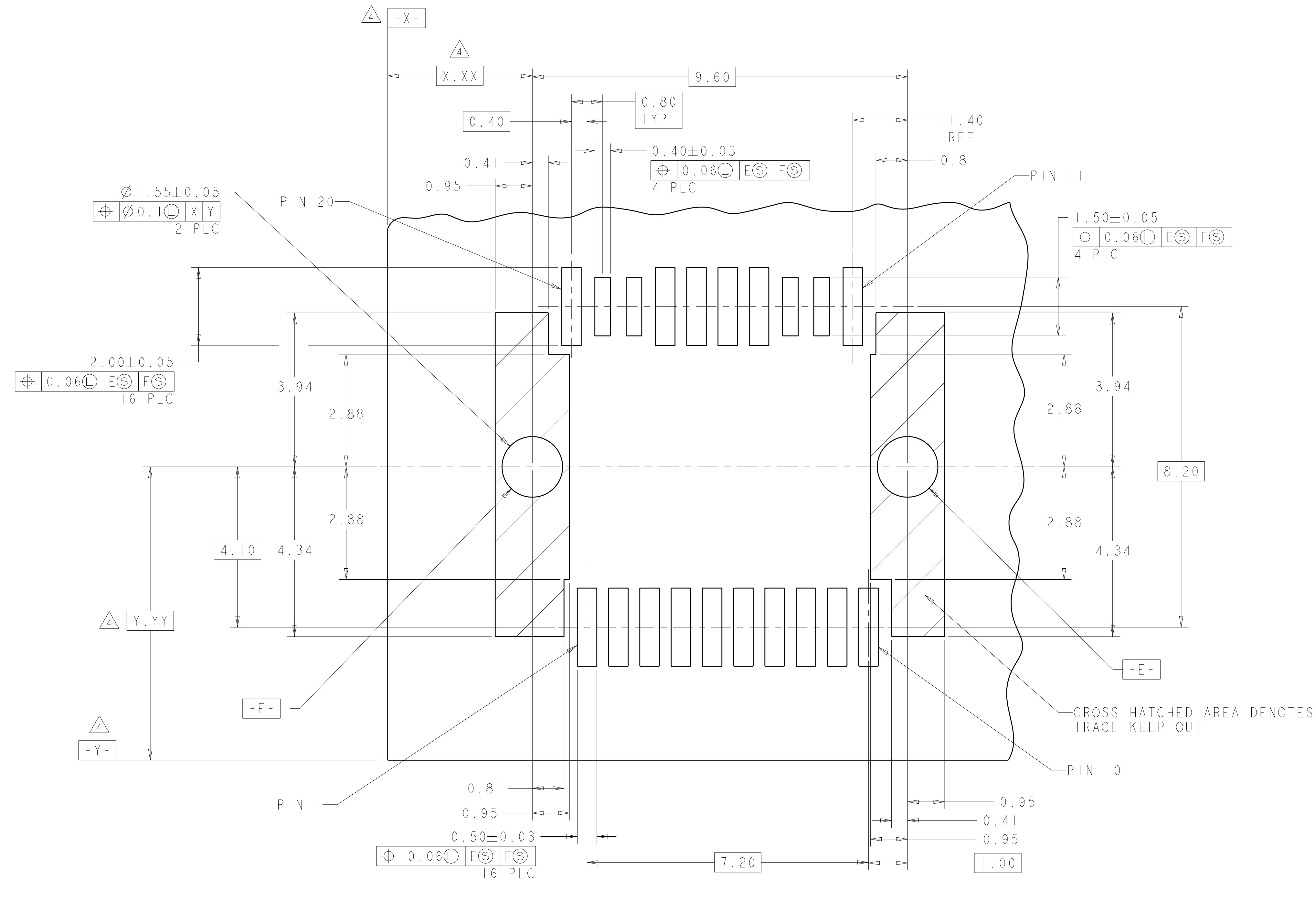
RECOMMENDED LAYOUT DETAIL
 MATING TRANSCEIVER PCB
 SCALE 10:1



RECOMMENDED PCB LAYOUT DETAIL
 CONNECTOR MOUNTING SIDE
 SCALE 14:1

DIMENSIONS:		TOLERANCES UNLESS OTHERWISE SPECIFIED:		DWN		BY		DATE		REV	
mm	9 PLC	±	0.10	MCMaster	14FEB06						
	1 PLC	±	0.10	S. SHUEY	14FEB06						
	2 PLC	±	0.10								
	3 PLC	±	0.10								
	4 PLC	±	0.10								
	ANGLES	±	0.10								
MATERIAL	FINISH										

LOC	DIST	REVISIONS					
ES	00	P	LTN	DESCRIPTION	DATE	DWN	APVD
		-	-	SEE SHEET 1	-	-	-



OPTIONAL LAYOUT FOR IMPROVED SIGNAL INTEGRITY, MOUNTING SIDE
 SCALE 16:1

DIMENSIONS:		TOLERANCES UNLESS OTHERWISE SPECIFIED:		DWN		Tyco Electronics Corporation	
mm	0 PLC	±		B. MCMaster	14FE006	Shanghai, P.R.China, 200233	
	1 PLC	±		CHK S. SHUEY	14FE006	NAME PT CONNECTOR ASSEMBLY, 20 POS, RIGHT ANGLE, 0.8mm PITCH, SFP SFP+	
	2 PLC	±	0.10	APVD S. SHUEY	14FE006	PRODUCT SPEC 108-1949	
	3 PLC	±		APPLICATION SPEC 114-13017		SIZE CAGE CODE DRAWING NO RESTRICTED TO	
	4 PLC	±		WEIGHT		A100779C=1888247	
	ANGLES	±		MATERIAL		SCALE 8:1 SHEET 3 OF 3 REV J	
	FINISH	±		CUSTOMER DRAWING			